



ONLINE PERSONAL DESIGN PACKET

- All Weather Board® Composite Material
- Ships in 7-10 Days
- Factory Built to Order



DEALER

John Doe
 dealeremail@address.com
 Phone 561-555-XXXX

PROJECT INFO

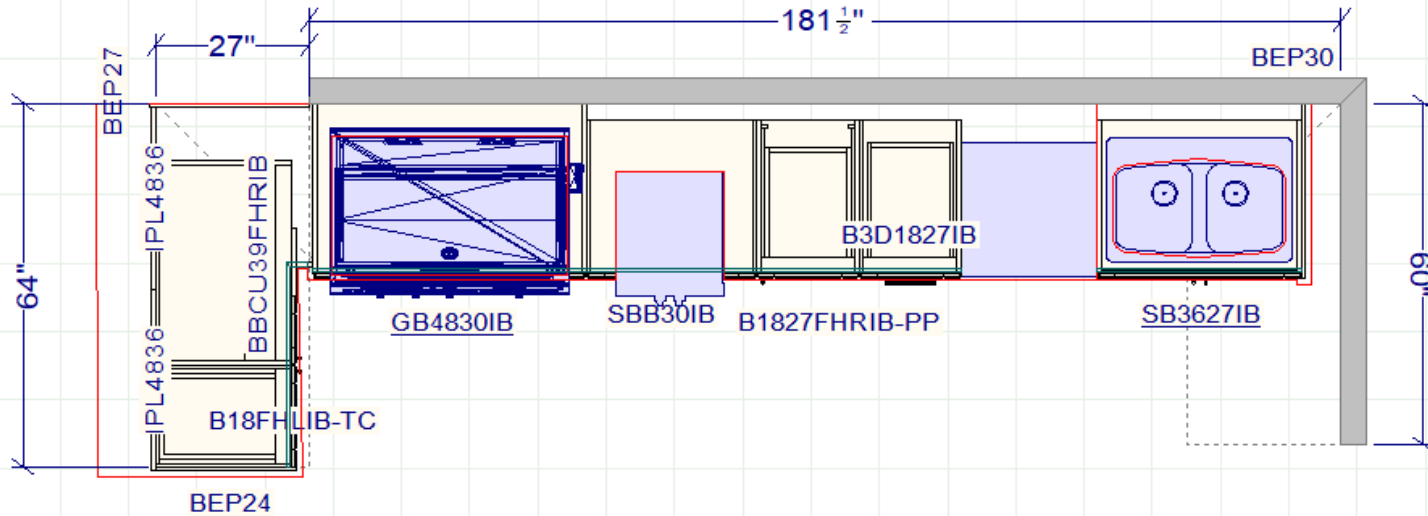
Outdoor Kitchen
 5/21/2024

Note to Customer: Please verify all dimensions for accuracy. Contact your personal designer with any changes to your layout.

Images are computer generated and should not be used for true color representation or color matching. Please order a sample to view the actual color of the door in your space and light.



WeatherStrong.com



Purchaser/Homeowner must Verify prior to purchase:

All wall lengths, ceiling and wall heights (including soffits or bulkheads)

All window and door sizes and exact locations

Any floor or ceiling obstacles that interfere with the design

Appliance, sink sizes and flooring footprint locations if applicable

All plumbing, electrical and/or gas are in the correct location on this design OR that they can be relocated.

Note to Customer: Please verify all dimensions for accuracy. Contact your personal designer with any changes to your layout.

Images are computer generated and should not be used for true color representation or color matching. Please order a sample to view the actual color of the door in your space and light.



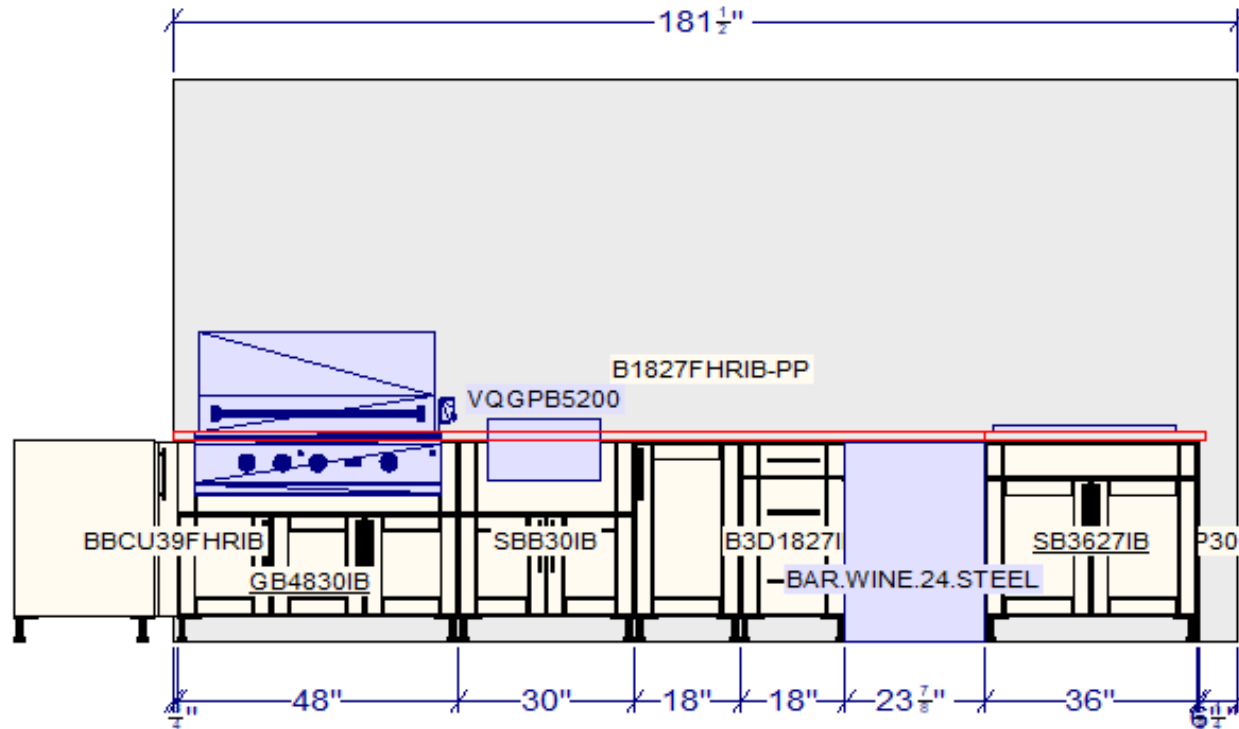
Note to Customer: Please verify all dimensions for accuracy. Contact your personal designer with any changes to your layout.

***Images** are computer generated and should not be used for true color representation or color matching. Please order a sample to view the actual color of the door in your space and light.*



Note to Customer: Please verify all dimensions for accuracy. Contact your personal designer with any changes to your layout.

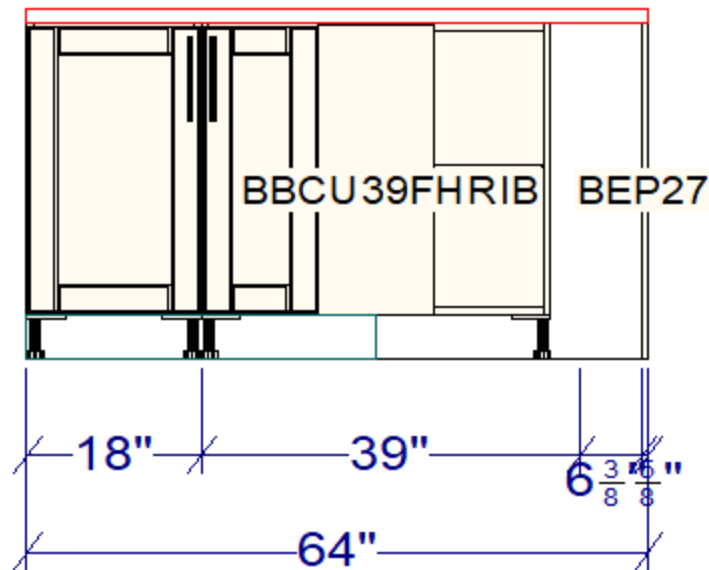
***Images** are computer generated and should not be used for true color representation or color matching. Please order a sample to view the actual color of the door in your space and light.*



Note to Customer: Please verify all dimensions for accuracy. Contact your personal designer with any changes to your layout.

***Images** are computer generated and should not be used for true color representation or color matching. Please order a sample to view the actual color of the door in your space and light.*

B18FHLIB-TC



Note to Customer: Please verify all dimensions for accuracy. Contact your personal designer with any changes to your layout.

***Images** are computer generated and should not be used for true color representation or color matching. Please order a sample to view the actual color of the door in your space and light.*



SANIBEL SHORELINE GRAY (SSG)



- Flat panel door with extended stiles and a routed shaker center panel design.
- Stiles routed into deco drawer fronts
- Features a textured exterior finish
- Cabinets constructed of a solid $\frac{3}{4}$ " All-Weather Board
- Fully Concealed stainless-steel hinges



***DECORATIVE HARDWARE** is included in your quote but is not installed.

Note to Customer: Please verify all dimensions for accuracy. Contact your personal designer with any changes to your layout.

***Images** are computer generated and should not be used for true color representation or color matching. Please order a sample to view the actual color of the door in your space and light.*

SURE LEVEL LEGS (4 PACK)

FEATURES

- Includes 4 adjustable legs, 4 mounting plates, 4 toe kick clips and 316 stainless steel screws
- Height adjustment from 3 3/4" to 5 1/4"
- Each leg rated for 330lb static load



1.25" Stainless Steel Screw

30 Pack

WSSS1.25-SCREW KIT



Square Head Drill Bit included.

Used to attach cabinets together and install Corbels.

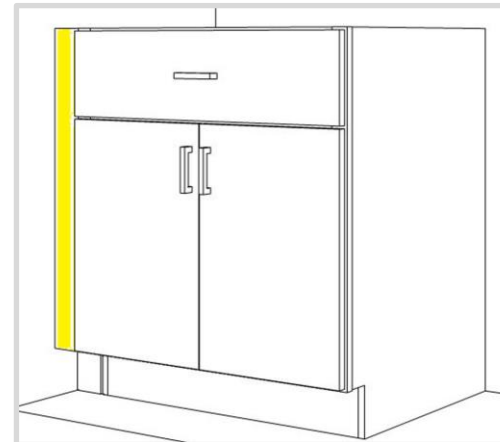
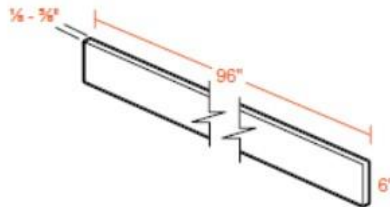
| CABINET TYPE | QTY. | LOCATION |
|-------------------|------|--------------------|
| Bases | 2 | Front Edge |
| Island Base | 4 | Front & Back Edges |
| Bar Base | 4 | Front & Back Edges |
| Walls up to 30" H | 2 | Front Edge |
| Walls 36 & 42" H | 3 | Front Edge |

8' FINISHED TOE KICK – MATCHES DOOR COLOR

FEATURES

- Available in all finishes
- Will need to be cut to fit on the job site
- Toe kick clips will need to be added to allow attachment to the legs when needed

96" Wide
FS696A



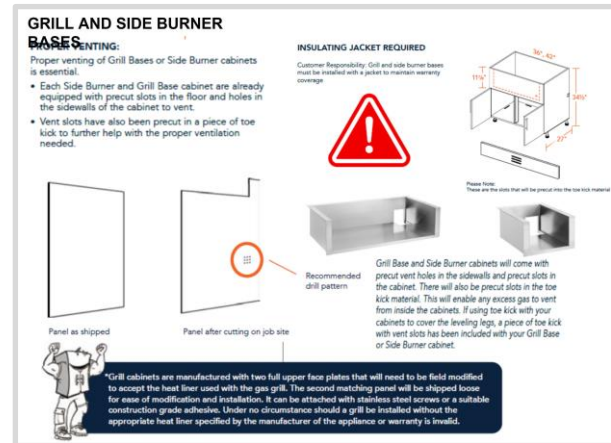
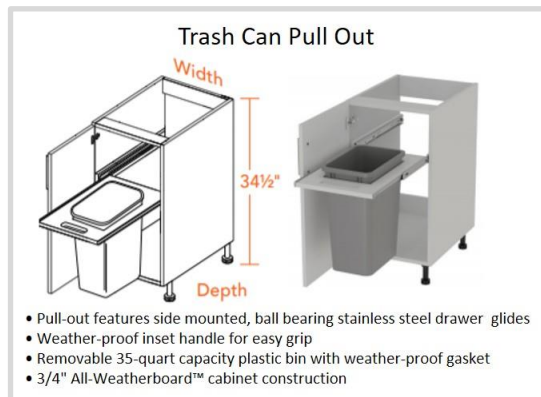
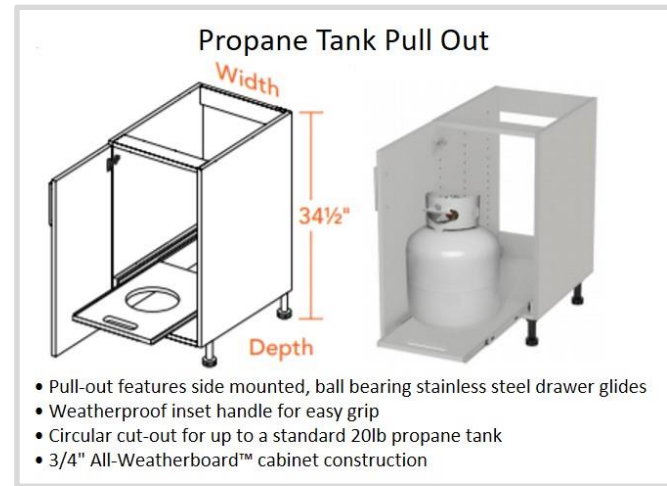
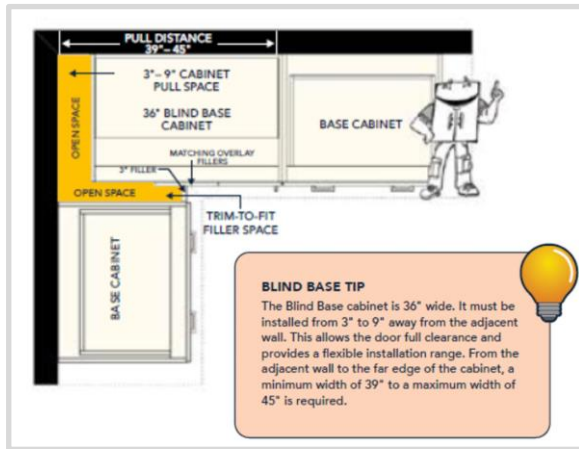
Filler Options

- | | |
|--------------------|--------------------|
| 30" Tall FS330A | 30" Tall FS630A |
| 36" Tall FS336A | 36" Tall FS636A |
| 42" Tall FS342A | 42" Tall FS642A |
| 84" Tall FS384A | 96" Tall FS696A |
| 90" Tall FS390A | |
| 96" Tall FS396A | |

FS696A can be used as matching toe kick

Note to Customer: Please verify all dimensions for accuracy. Contact your personal designer with any changes to your layout.

***Images** are computer generated and should not be used for true color representation or color matching. Please order a sample to view the actual color of the door in your space and light.*



Note to Customer: Please verify all dimensions for accuracy. Contact your personal designer with any changes to your layout.

***Images** are computer generated and should not be used for true color representation or color matching. Please order a sample to view the actual color of the door in your space and light.*

DELIVERY INFORMATION

WeatherStrong Cabinetry orders are shipped prepaid to your location.



Deliveries are made only to the address specified on your order. **Orders are delivered to the first available secure dry area of your home; drivers are not responsible for moving the cabinetry to their final location, or disposal of packaging materials.**

All shipments are valid for one customer, to one location in the continental United States and cannot be separated into multiple deliveries to multiple locations. Deliveries are made only to a home or job site.

All shipments are palletized and shrink-wrapped.

A delivery agent will call to make a delivery appointment (Monday-Friday 8:00 AM EST-5:00 PM EST) within a four-hour window you specify.

Shipping and handling charges cover one delivery attempt to you. In the event that, due to your availability or circumstances, an order is not deliverable you will be responsible for any additional shipping and handling charges.

If you have additional shipping requirements, please call our customer service specialists at 888-745-0004 option 2 or email us at customerservice@weatherstrong.com.

Note to Customer: Please verify all dimensions for accuracy. Contact your personal designer with any changes to your layout.

Images are computer generated and should not be used for true color representation or color matching. Please order a sample to view the actual color of the door in your space and light.

RECEIVING YOUR ORDER

Deliveries are made only to the address specified on your order. This is an opportunity for you to check your delivery against the Bill Of Lading, and inspect the packages for any visible shipping damage.



Please remember to receive, inspect, and sign for all deliveries.

If the items(s) that you purchased have become damaged during shipping, **please document the damages with the freight company upon delivery.** Notify us immediately by calling 888-745-0004 option 2 or emailing us at customerservice@weatherstrong.com **All freight damage must be reported within 72 hours.**

All items should be checked against the Bill Of Lading and packing slip supplied by the driver for each delivery.

The Bill Of Lading indicates the number of cartons in the delivery but does not represent the number of pieces. Some items may be boxed together such as molding, hardware, etc.

Cartons containing multiple items will have separate labels on the carton for each item included and will correspond to the packing slip.

If you have additional questions on receiving your order, please call our customer service specialists at 888-745-0004 option 2 or email us at customerservice@weatherstrong.com.

PLEASE VERIFY ALL ITEMS BELOW:



All wall lengths, ceiling and wall heights (including soffits or bulkheads)

All window and door sizes and exact locations

Any floor or ceiling obstacles that interfere with the design

Appliance, sink sizes and flooring footprint locations if applicable

All plumbing, electrical and/or gas are in the correct location on this design OR that they can be relocated.

CABINETRY FINISHES: We offer 6 solid colors and 5 woodgrain finish colors. Door and panel material features consistent color all the way through. Any unfortunate scratches or nicks will be less visible.



ASSEMBLY: Your cabinets are built with precision dowel alignment and stainless steel confirmat screws to ensure strength and durability.



Note to Customer: Please verify all dimensions for accuracy. Contact your personal designer with any changes to your layout.

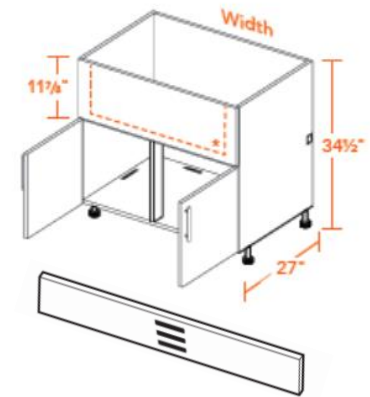
Images are computer generated and should not be used for true color representation or color matching. Please order a sample to view the actual color of the door in your space and light.

GRILL CABINETS: Grill cabinets are manufactured with a full upper face plate that will need to be modified in field to accept the respective heat liner used with the gas grill.

Under no circumstance should a grill be installed without the appropriate heat liner specified by the grill manufacturer.

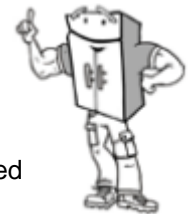
Please follow venting instructions provided by your appliance manufacture, when making the decision on where to place gas vents.

We recommend you reach out to the manufacture of your appliance for additional questions on gas venting and proper installation of the grill.



Toe kick will ship with every side burner and grill base cabinet. The toe kick will have pre-cut slots for ventilation.

INSTALLATION TO EXTERIOR WALLS: Your cabinets can be installed indoors or out. To fasten cabinets to stucco, brick, or concrete block walls, stainless steel Tapcon® fasteners are recommended (3/16" x 2 1/4"), sold separately. For base cabinets two fasteners are recommended, and four are recommended for wall cabinet installations.

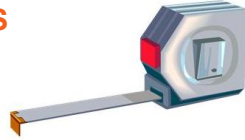


DOUBLE-CHECKING MEASUREMENTS

Only you can provide us with accurate measurements, so it is best to measure twice and order once!

Please also remember to include the dimensions and model numbers of your appliances and the accessories that go with them. This will allow your designer to properly provide the cabinetry sizes needed to fit your design

For your convenience, here is a link to our [specification guide](#):



INSTALLATION PLANNING

Do not remove your existing cabinetry until all new cabinetry has arrived complete and has been inspected for shipping damage. (Please review the notes on [Receiving Your Order](#))

For your convenience, here is a link to our [Installation Guide](#).

This will help to identify the tools needed for your install, so your project can be completed in a safe, secure and timely manner.



CARE AND MAINTENANCE

To help keep your cabinets as beautiful as the day you received them, and functioning as well as the day they were built, they will require some minimal care.

We can provide a Care and Maintenance Guide to help you enjoy your investment for a lifetime; just ask your designer.



Note to Customer: Please verify all dimensions for accuracy. Contact your personal designer with any changes to your layout.

***Images** are computer generated and should not be used for true color representation or color matching. Please order a sample to view the actual color of the door in your space and light.*